

COMPRESSOR

Displacement (cm ³)	5.99
Diameter (mm)	20.88
Stroke (mm)	17.48
Net Weight (Kg)	9.1
Oil type	ISO VG 15 ESTER
Oil charge (cm ³)	210

MOTOR

Approximate Power (CV)	1/6
Voltage/Frequency (V/Hz)	115V 60Hz
Voltage range (V)	98-132
Code	62.045
Type	CSIR
Phase number	1 PH
Locked rotor current (A)	15.0
Main W. resist. at 25°C (Ω)	2.75
Start W. resist. at 25°C (Ω)	6.17

APPLICATION

Application	Low back pressure
Refrigerant	R134a
Evaporating (°C)	-35 to -10
Expansion	Capillar
Comp. cooling	Static
Max. ambient temp. (°C)	43

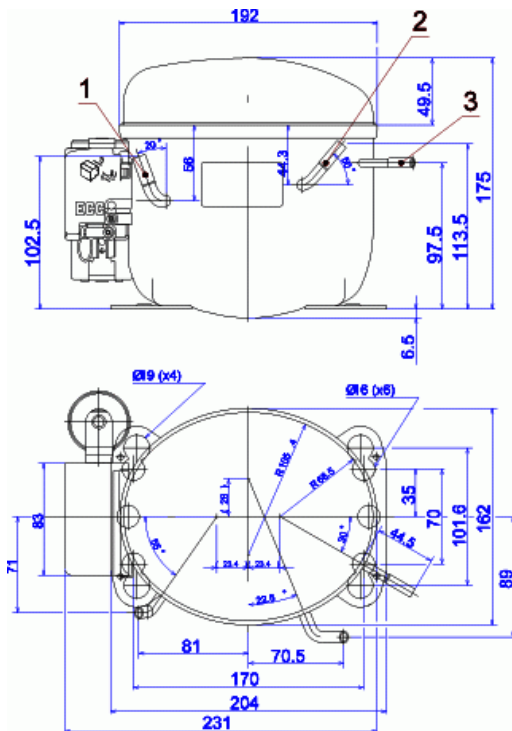
NOMINAL PERFORMANCE	CYCLE A	CYCLE B
Cooling capacity (kcal/h)	113	155
Input power (W)	156	164
EER (kcal/Wh)	0.72	0.94
COP (W/W)	0.84	1.09
Current (A)	2.24	2.29

TEST CONDITIONS

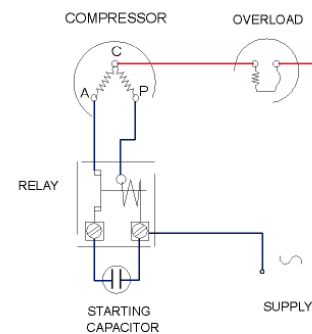
Evaporating temp. (°C)	-25.0	-23.3
Condensing temp. (°C)	55.0	55.0
Liq.t. entering expan. (°C)	55.0	32.0
Ambient t. and return (°C)	32.0	32.0
Tens/Freq (V/Hz)	115V 60Hz	115V 60Hz

ELECTRICAL COMPONENTS

Relay	2014 149.	
Pick-Up (A)	7,80	
Drop-Out (A)	6,65	
Protector	MRP36AMN	T0170
Current (A)	11.0	11.0
Time check (seg)	7.5-14	7.5-14
Disc temp. (Open/Close) (°C)	120.0 / 69.0	120.0 / 69.0
Starting capacitor (μF/V)/F/V)	150 / 160	

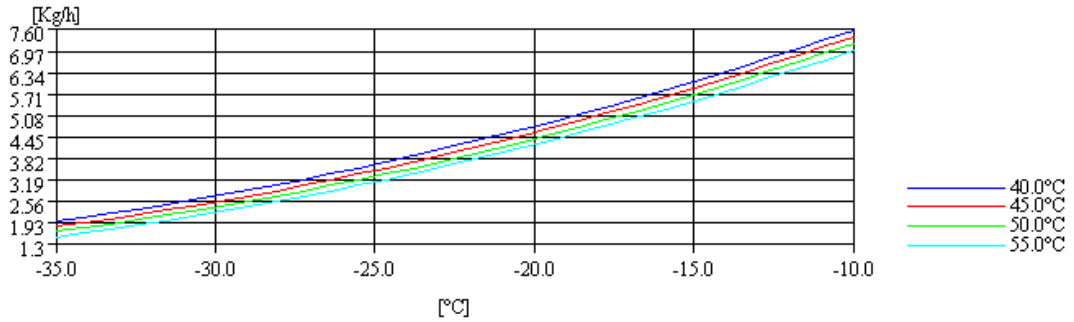
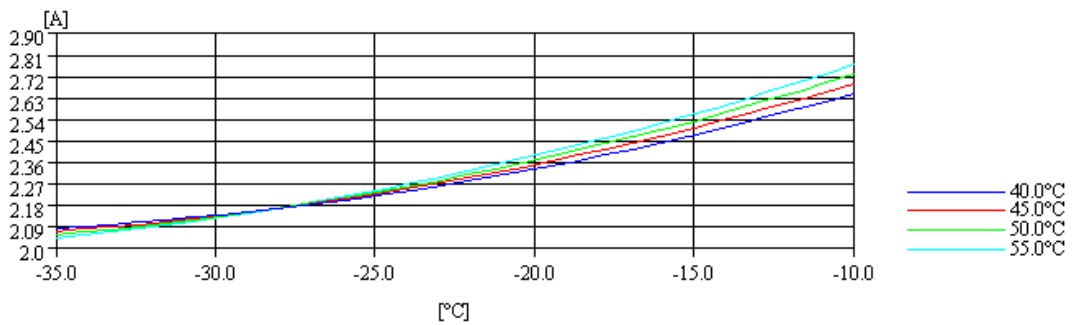
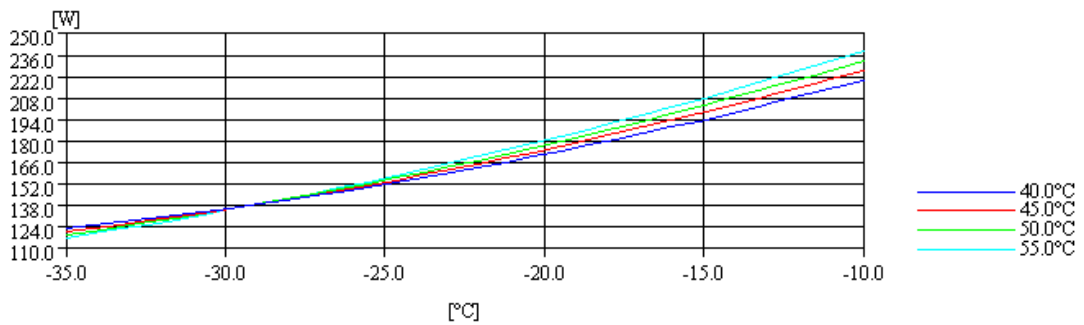
DIMENSIONS AND ELECTRICAL DIAGRAM


DESIGNATION	INTERNAL DIAM. (MM)
1	Suction/Service 6,5
2	Service/Suction 6,5
3	Discharge 4,9

CSIR


TEST CONDITIONS

Voltage/frequency	115V 60Hz
Ambient t. and return	32 °C
Liq.t. entering expan.	Subcooling at 32 °C

MASS FLOW

INTENSITY

CONSUMPTION

COOLING CAPACITY
